

EM-05-4X Electromechanical Slide Bolt

Push-to-close · Integrated sensing

Features

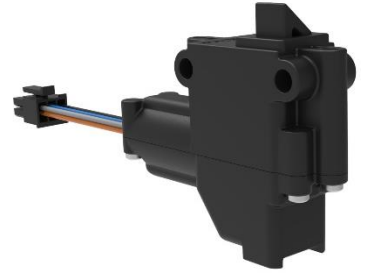
- Push to close / electrical release
- Integrated sensors to monitor door and latch status
- Auto-relock or lock-unlock (2 position)

Electrical Specifications

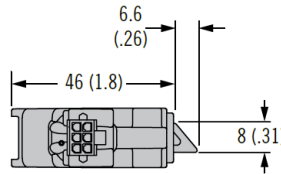
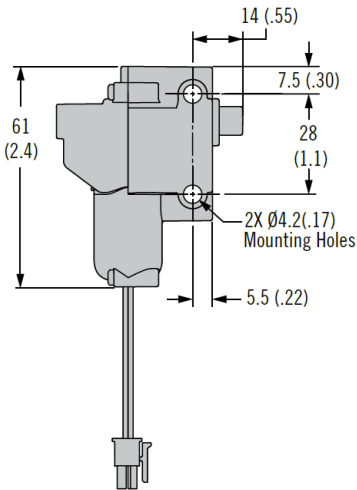
- Supply voltage: 5VDC +/- 10%
- Operating current: < 300 mA
- Operating temperature: 0°C - 60°C
- Operating humidity: 85% max, no condensation

Material

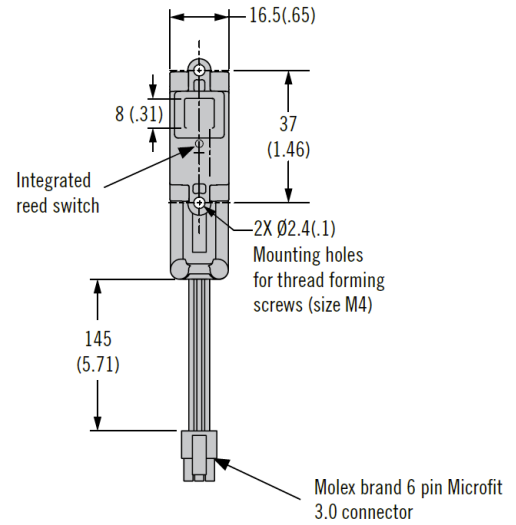
- Enclosure: Nylon, black
- Latch Bolt: Acetal, black
- Housing assembly screws: Steel, zinc plated



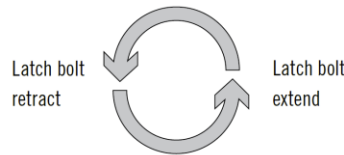
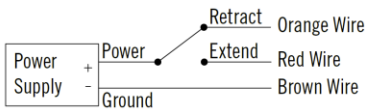
Perpendicular Mounting Holes



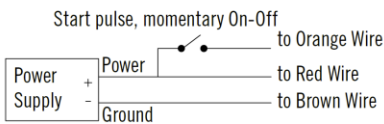
In-Line Mounting Holes



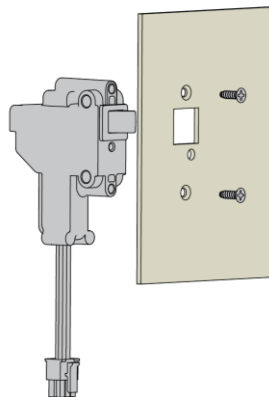
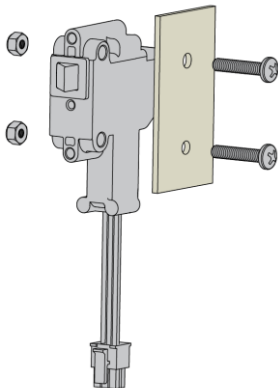
Two Position (Lock-Unlock) Mode



Start Pulse (Auto-Relock) Mode



Mounting Options



Part Number
EM-05-42-2401